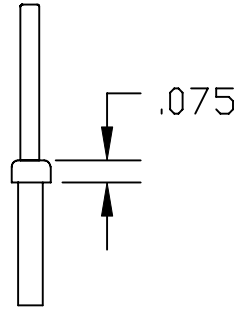
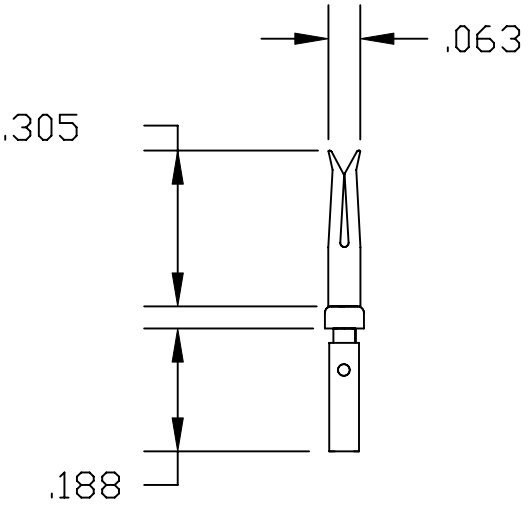



DESCRIPTION:



MATERIAL: BRASS
 WIRE SIZE: 20-26 AWG
 RoHS COMPLIANT

NOTE #1: CONTACTS SUPPLIED LOOSE PC (500 PER BAG)
 NOTE #2: RECOMMENDED MAX. STRAND DIAMETER = .041"

PLATING:	WIRE SIZE
	20-26
.000010" GOLD OVER .000050" NICKEL ENTIRE CONTACT	170-202-170L002
.000030" GOLD OVER .0001000" NICKEL ENTIRE CONTACT	170-202-170L003

	THESE DRAWINGS AND SPECIFICATIONS ARE THE PROPERTY OF NorComp AND SHALL NOT BE REPRODUCED, COPIED OR USED AS THE BASIS FOR THE MANUFACTURE OF SALE OF APPARATUS WITHOUT WRITTEN PERMISSION.		DRAWN: PAM JENKINS	DATE: 5-28-02
			CHECKED:	DATE:
<h1>NorComp</h1>		SCALE:	SHEET 1 OF 1	REV 1
		DWG NO. 170-202-170L00Y		